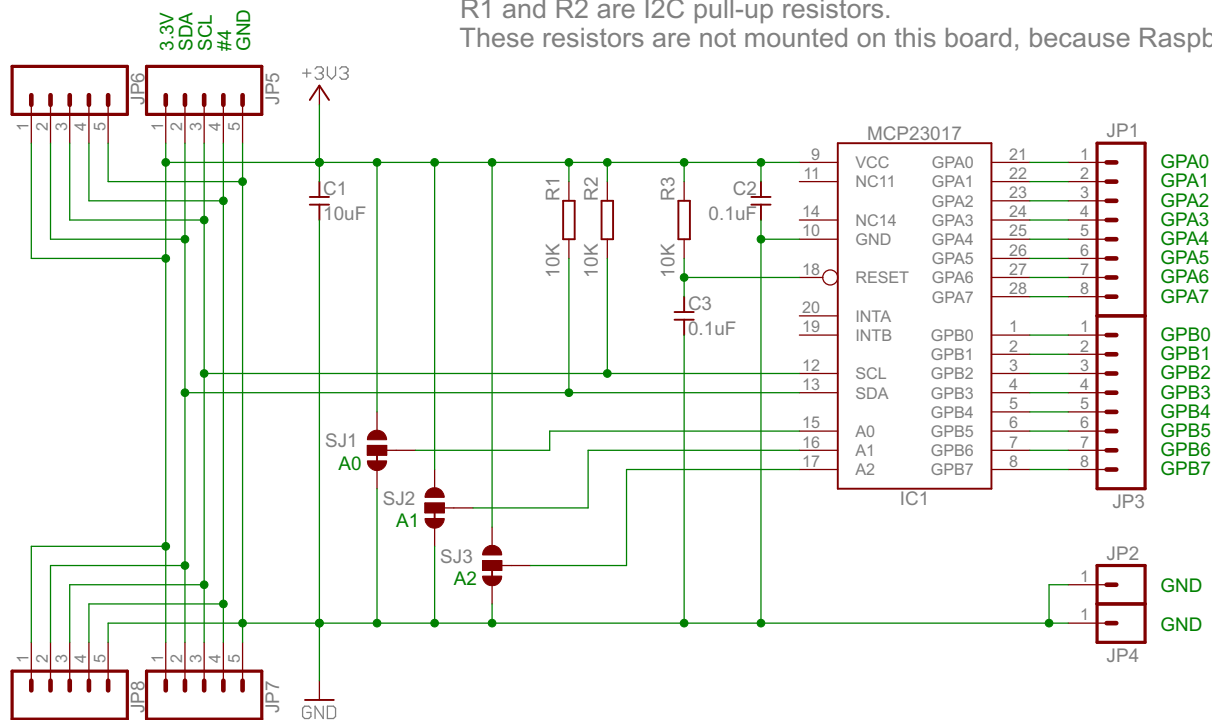


※R1、R2はI2C用の抵抗です。
 Raspberry Piでは不要のため実装してありません。
 R1 and R2 are I2C pull-up resistors.
 These resistors are not mounted on this board, because Raspberry Pi has I2C pull-up.



Switch Science, Inc.

MCP23017_GPIO_Expander_for_RPi

2014/11/25 12:34:22

Sheet: 1/1