

6

5

4

3

2

1

REVISION RECORD			
LTR	ECO NO:	APPROVED:	DATE:

D

D

C

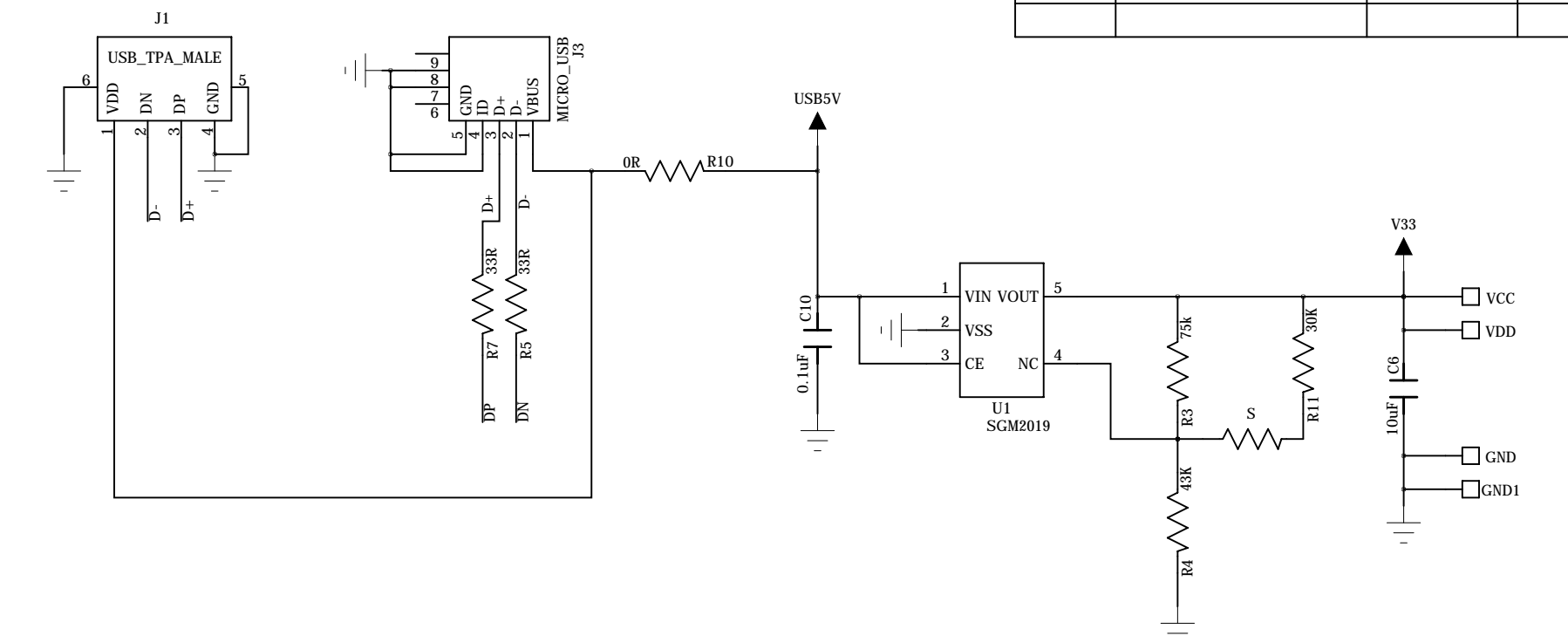
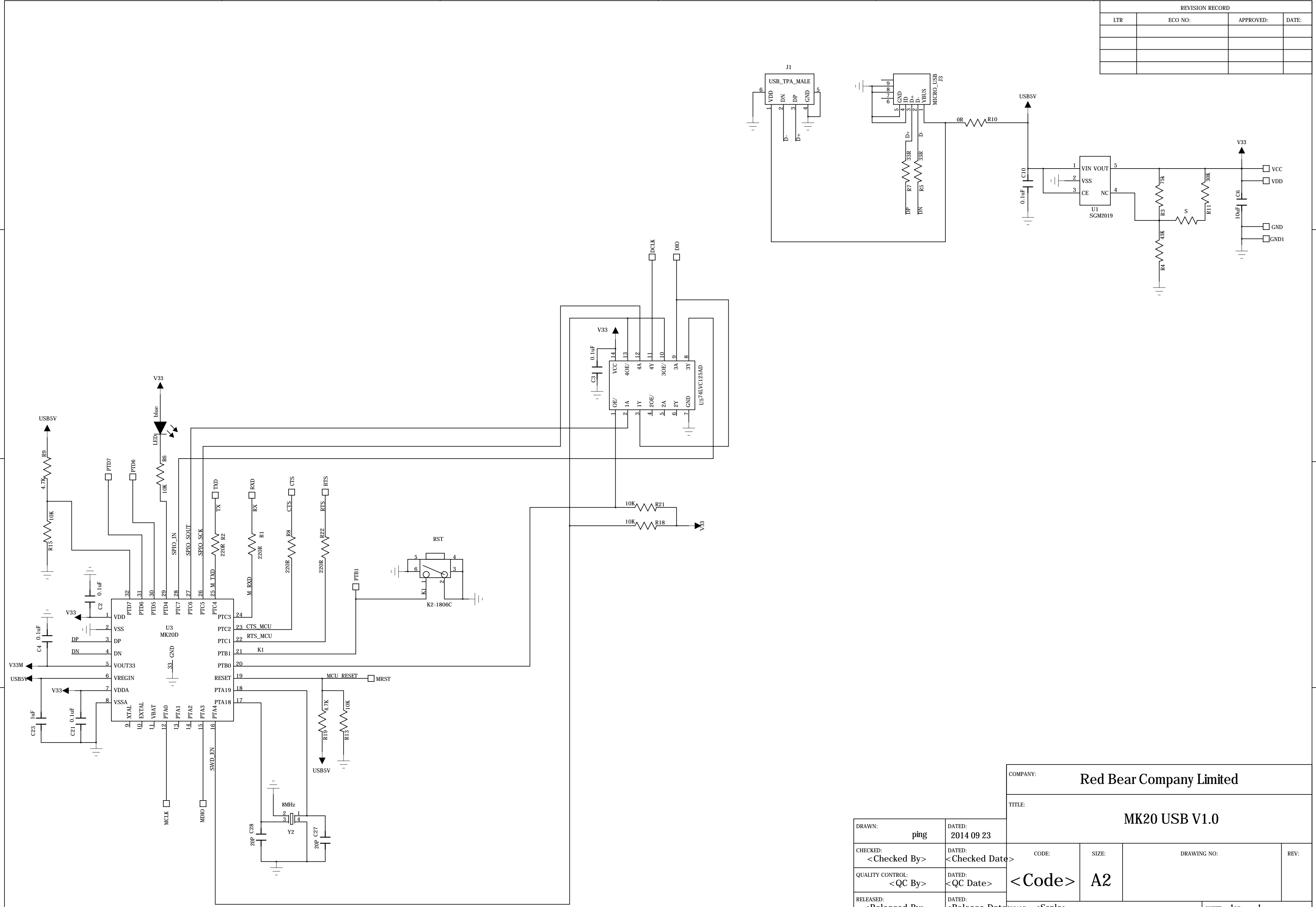
C

B

B

A

A



COMPANY: <b>Red Bear Company Limited</b>			
TITLE: <b>MK20 USB V1.0</b>			
DRAWN: <b>ping</b>	DATED: <b>2014 09 23</b>	CODE:	SIZE: <b>A2</b>
CHECKED: <b>&lt;Checked By&gt;</b>	DATED: <b>&lt;Checked Date&gt;</b>	DRAWING NO:	REV:
QUALITY CONTROL: <b>&lt;QC By&gt;</b>	DATED: <b>&lt;QC Date&gt;</b>	<b>&lt;Code&gt;</b>	
RELEASED: <b>&lt;Released By&gt;</b>	DATED: <b>&lt;Release Date&gt;</b>	SCALE: <b>&lt;Scale&gt;</b>	SHEET: 1 of 1

DRAWN: <b>ping</b>	DATED: <b>2014 09 23</b>
CHECKED: <b>&lt;Checked By&gt;</b>	DATED: <b>&lt;Checked Date&gt;</b>
QUALITY CONTROL: <b>&lt;QC By&gt;</b>	DATED: <b>&lt;QC Date&gt;</b>
RELEASED: <b>&lt;Released By&gt;</b>	DATED: <b>&lt;Release Date&gt;</b>