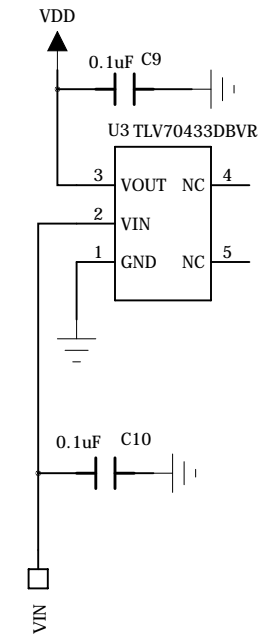
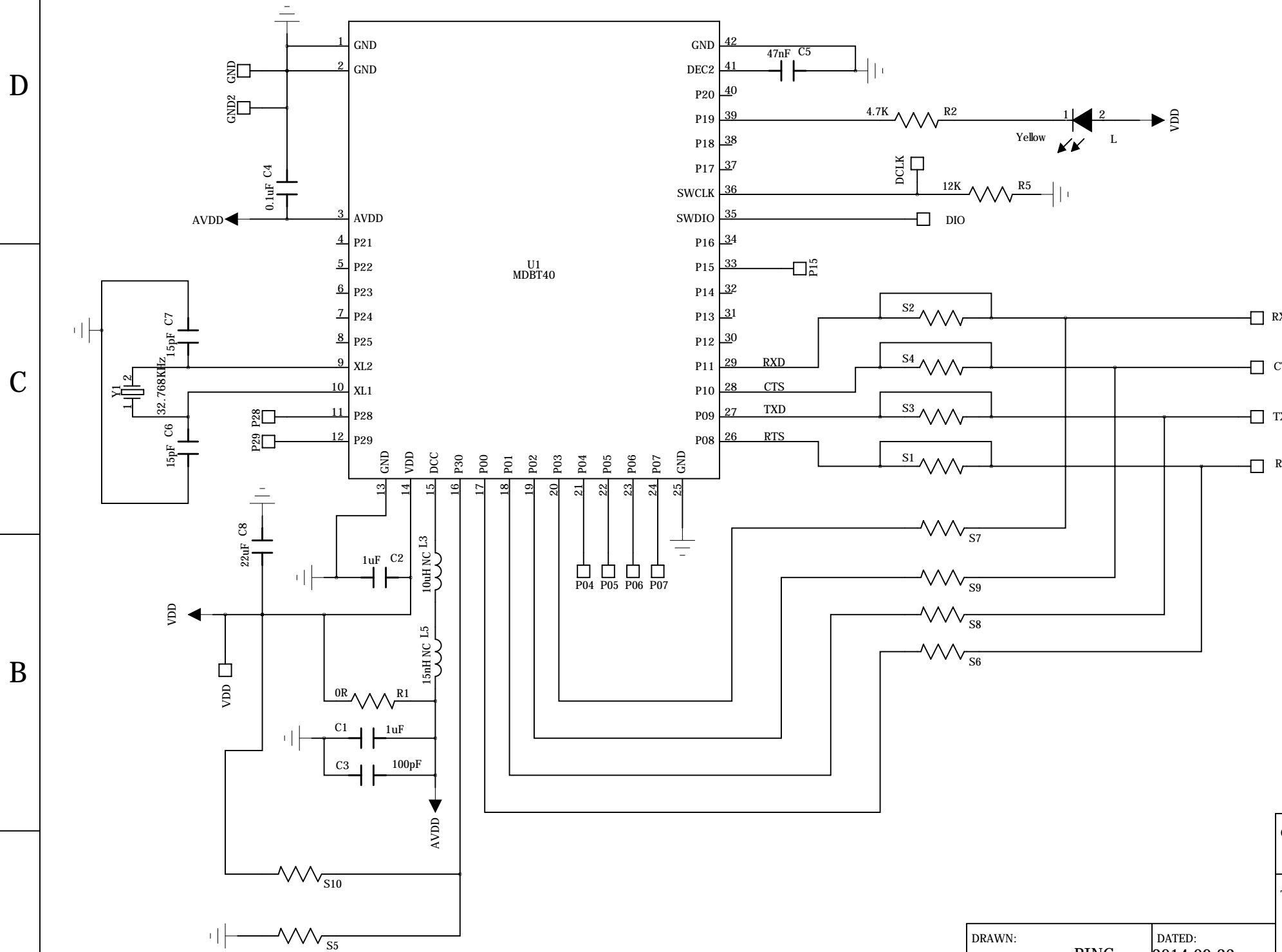


6 5 4 3 2 1

REVISION RECORD			
LTR	ECO NO:	APPROVED:	DATE:



D

D

C

C

B

B

A

A

COMPANY:				Red Bear Company Limited			
TITLE:				BLE Nano v1.0			
DRAWN:	PING	DATED:	2014 09 23	CODE:	SIZE:	DRAWING NO:	REV:
CHECKED:	<Checked By>	DATED:	<Checked Date>	<Code>	B	<Drawing Number>	v1.0
QUALITY CONTROL:	<QC By>	DATED:	<QC Date>	SCALE: <Scale>		SHEET: 1 of 1	
RELEASED:	<Released By>	DATED:	<Release Date>				