

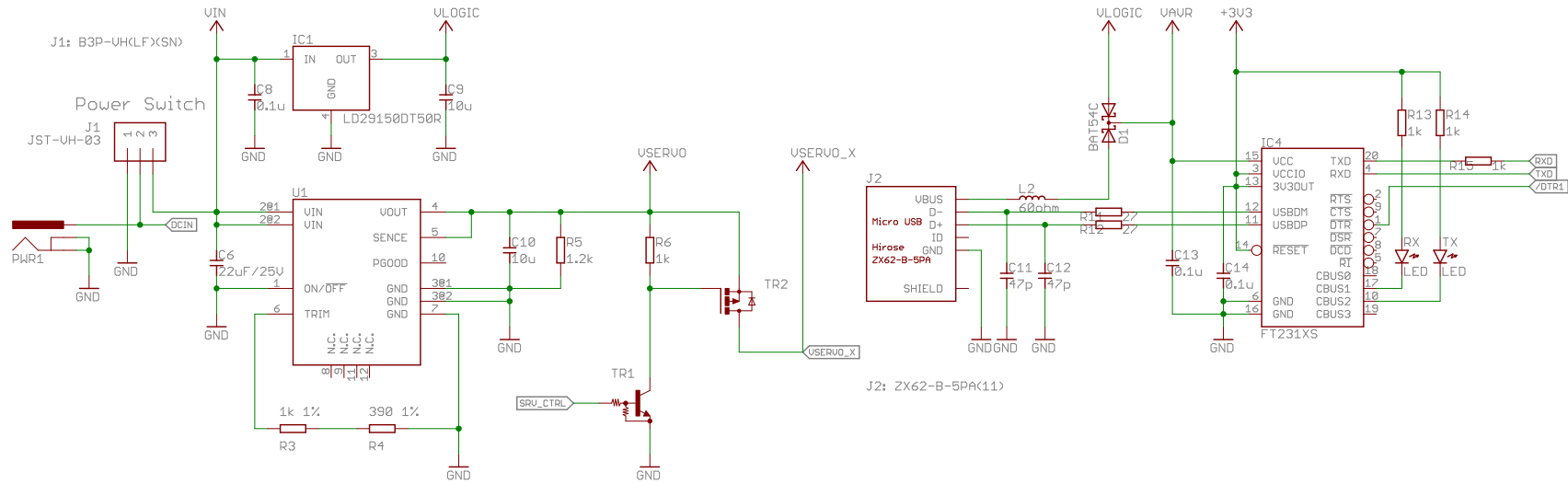
A

B

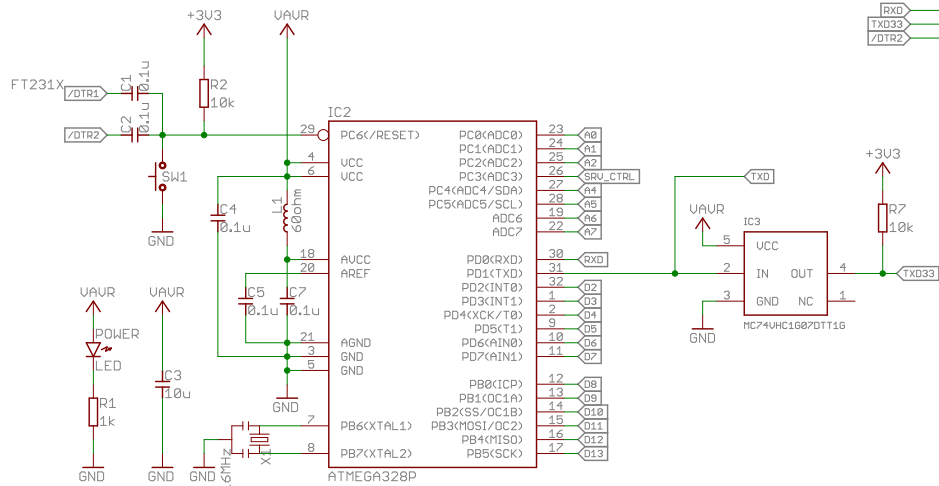
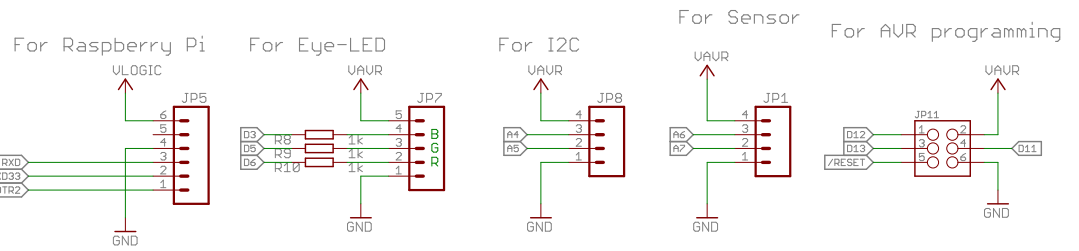
C

D

E



DCIN: 6-12V  
 VIN: 6-12V  
 ULOGIC: 5V  
 UAUR: 4.7V  
 USERU0: 5V  
 USERU0\_X: 5V  
 +3V3: 3.3V



FT231X input pins are 5V tolerant. ATmega328P Uic(L) is 0.6\*UCC = 3U. According to the ATmega328P manual P.258, noise on A0..A3 affects ADC.

