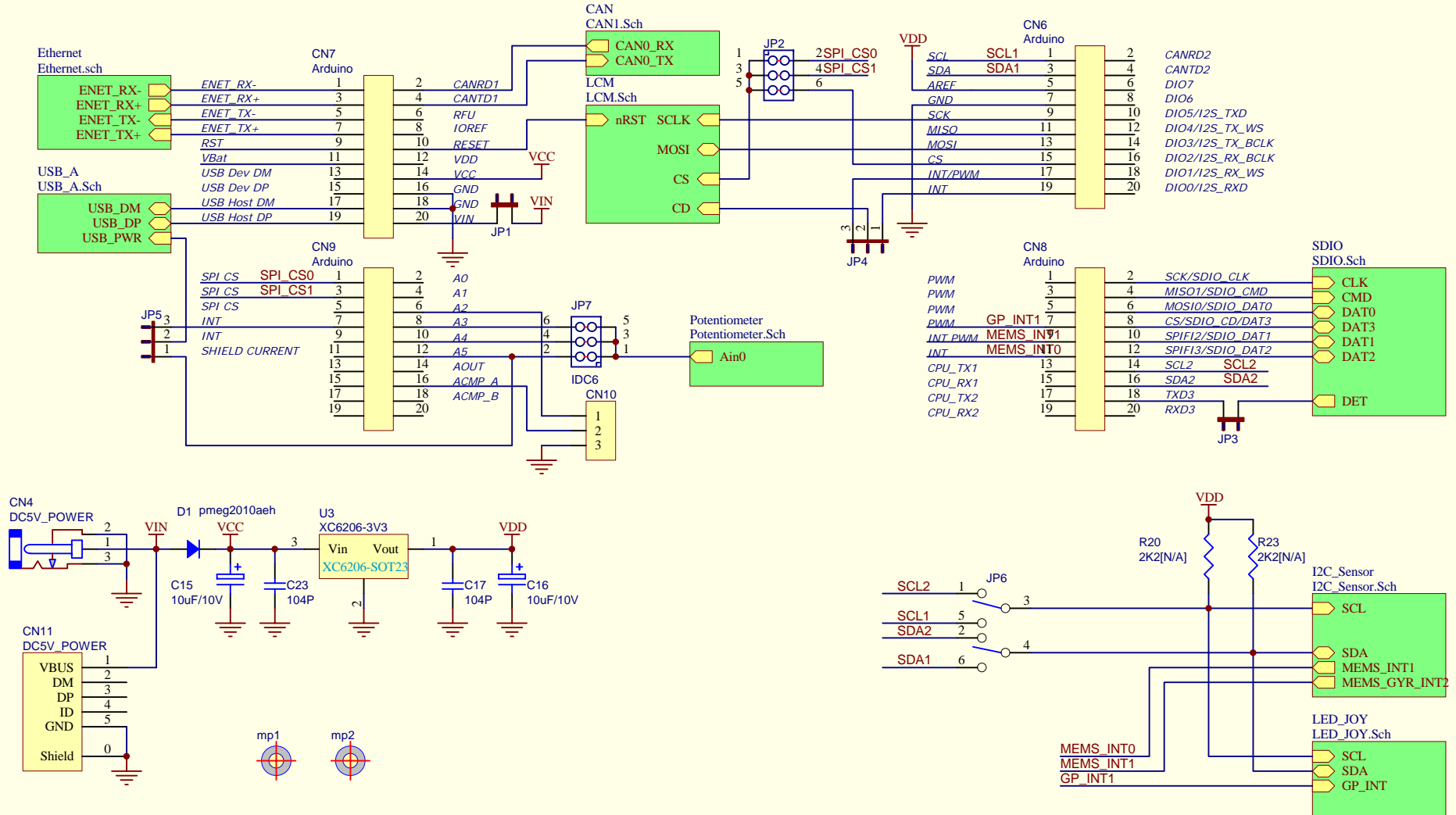
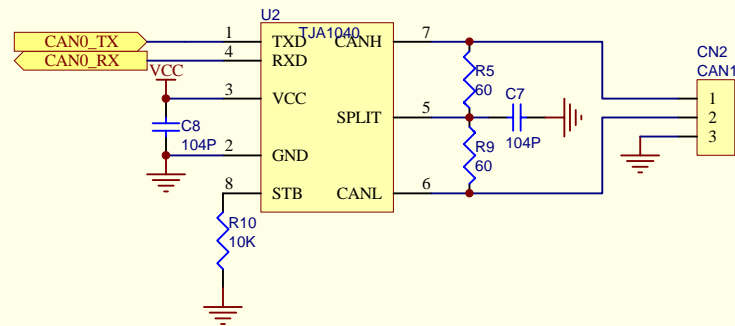


Networking expansion shield Frame



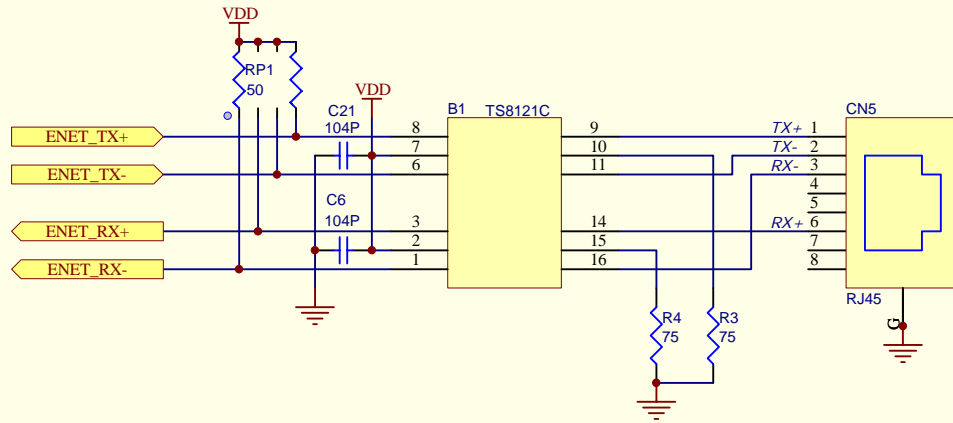
Page 2

CAN



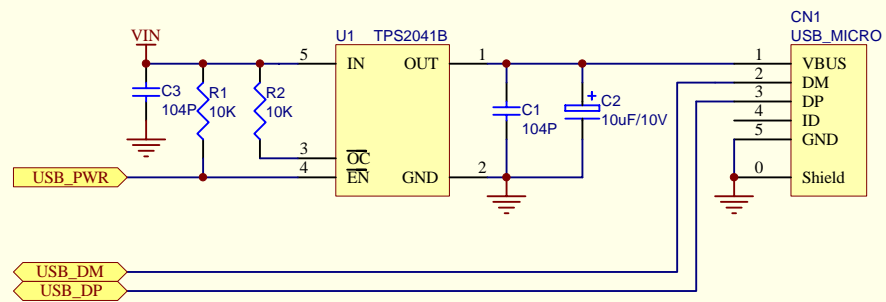
Page 3

Ethernet



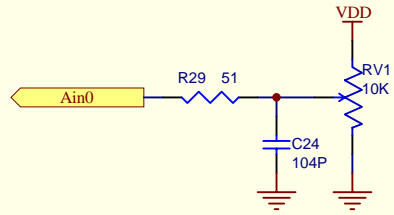
Page 4

Host USB



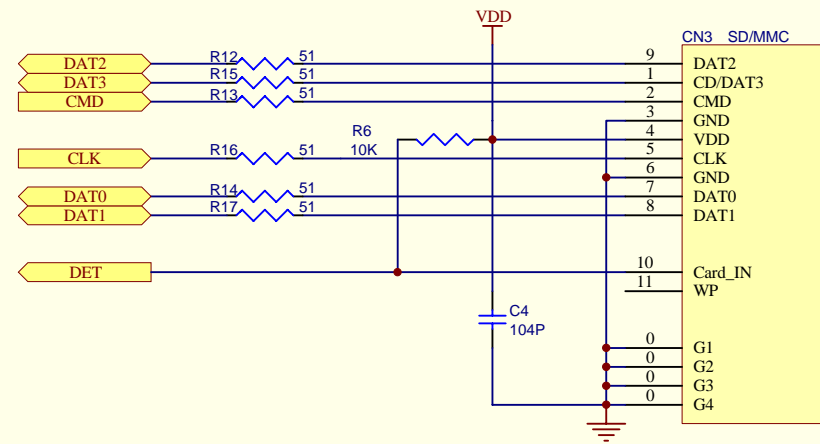
Page 5

Potentiometer



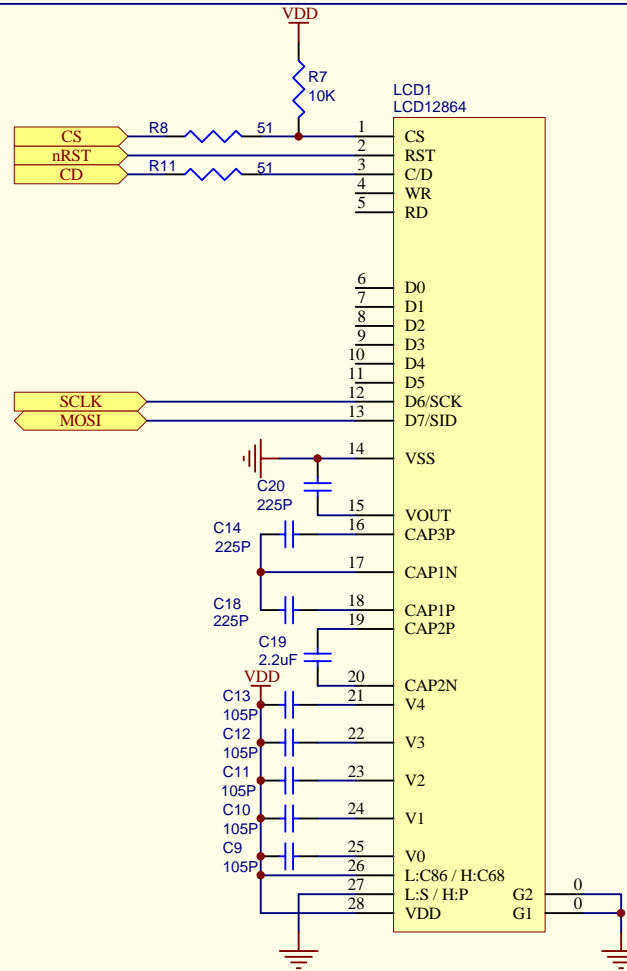
Page 6

SDIO



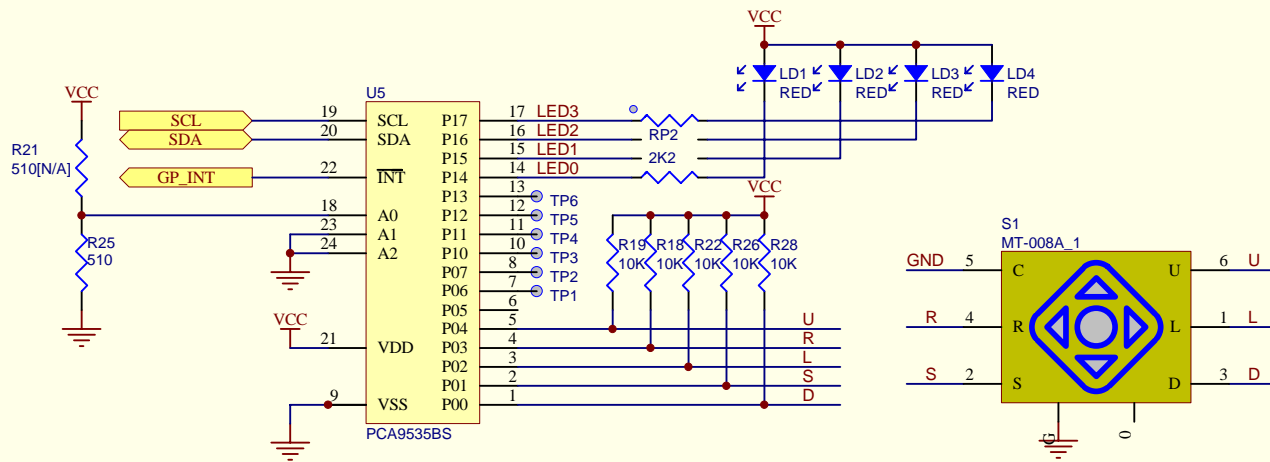
Page 7

SPI LCM



Page 8

I2C LED & Joystick





Page 1

I2C Sensor

